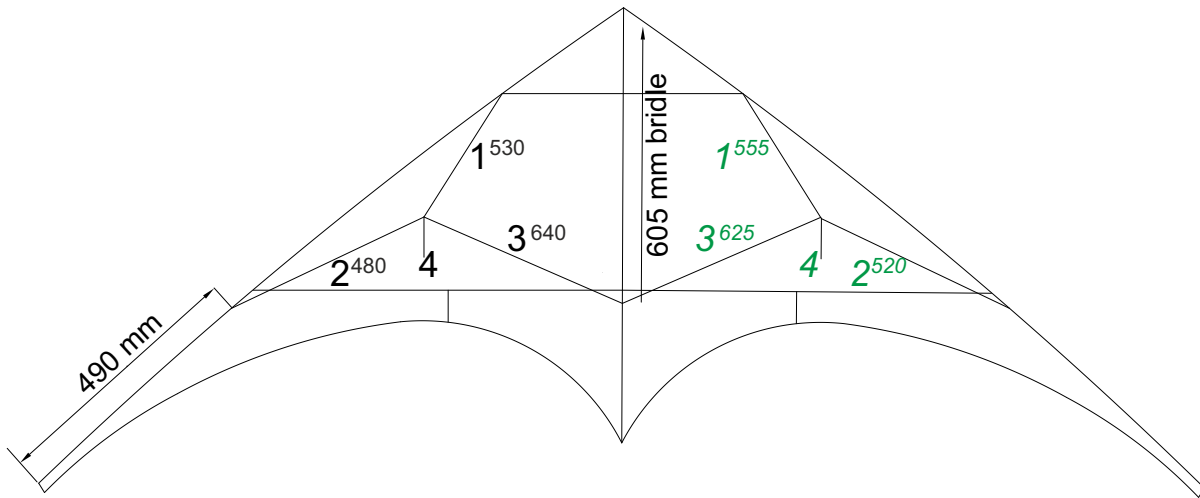
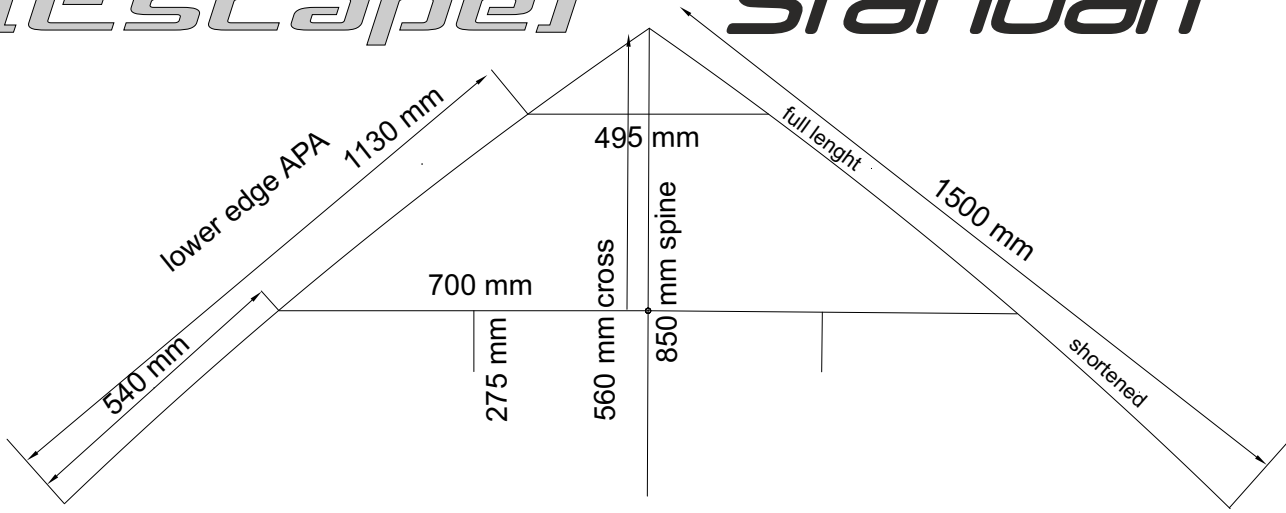


[Escape]

Standart

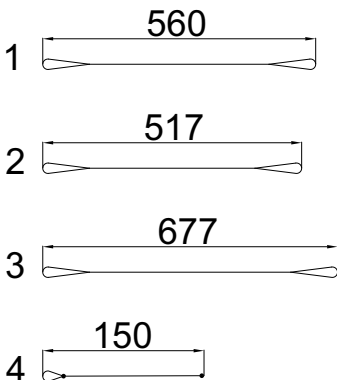


Framing

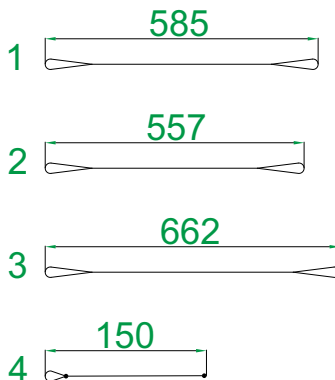
- leading edge: Aurel Agil 400 or SkyShark P200 upper part full, lower part shortened
- spine: Aurel Agil 400 or SkyShark P200 full + remnant (to reach 850mm)
- weight: brass 6mm diameter, 63 mm to reach 15g
- lower spreader: SkyShark Black Diamond Nitro 700 mm when use APA Db
- upper spreader: Exel 5mm, 495 mm when use Tiny APA W
- standoff: Glasfiber 3mm 275mm (sail to rod) (270mm to end of standoff when use APA 250)

Bridle (e.g. Edelrid Phoenix 90DaN 1.1mm or comparable)

Original (Birger)

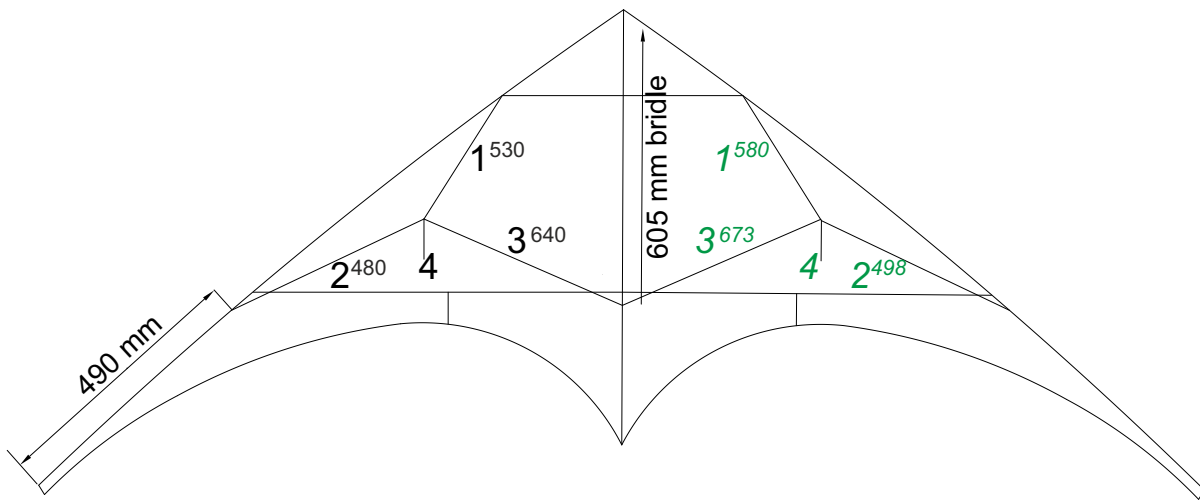
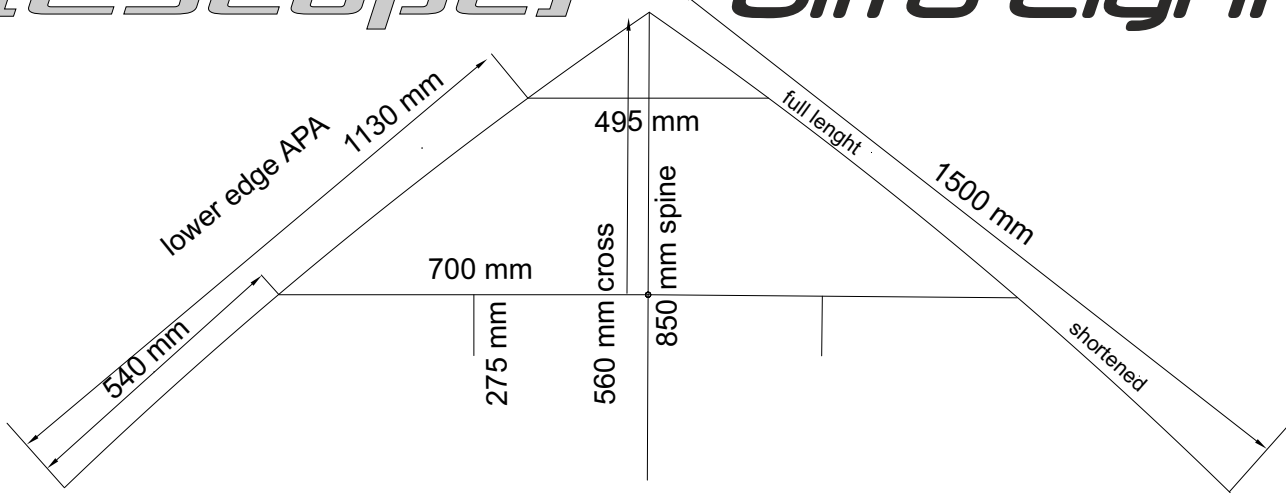


S.W.P. (Stephan)



[Escape]

Ultra Light

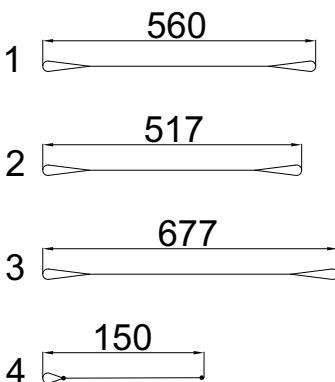


Framing

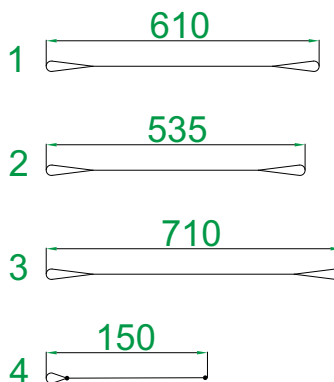
- leading edge: Aurel Agil 600 or SkyShark P100 upper part full, lower part shortened
- spine: Aurel Agil 600 or SkyShark P100 full + remnant (to reach 850mm)
- weight: brass 6mm diameter, 63 mm to reach 15g
- lower spreader: SkyShark NitroLite 700 mm when use APA Db
- upper spreader: Exel 5mm, 495 mm when use Tiny APA W
- standoff: Glasfiber 3mm 275mm (sail to rod) (270mm to end of standoff when use APA 250)

Bridle (e.g. Edelrid Phoenix 90DaN 1.1mm or comparable)

Original (Birger)

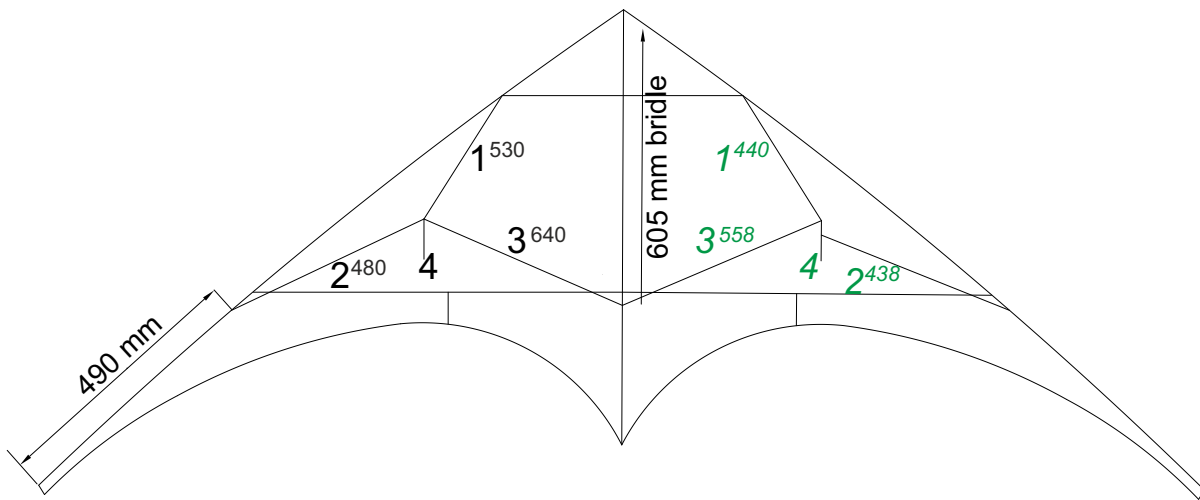
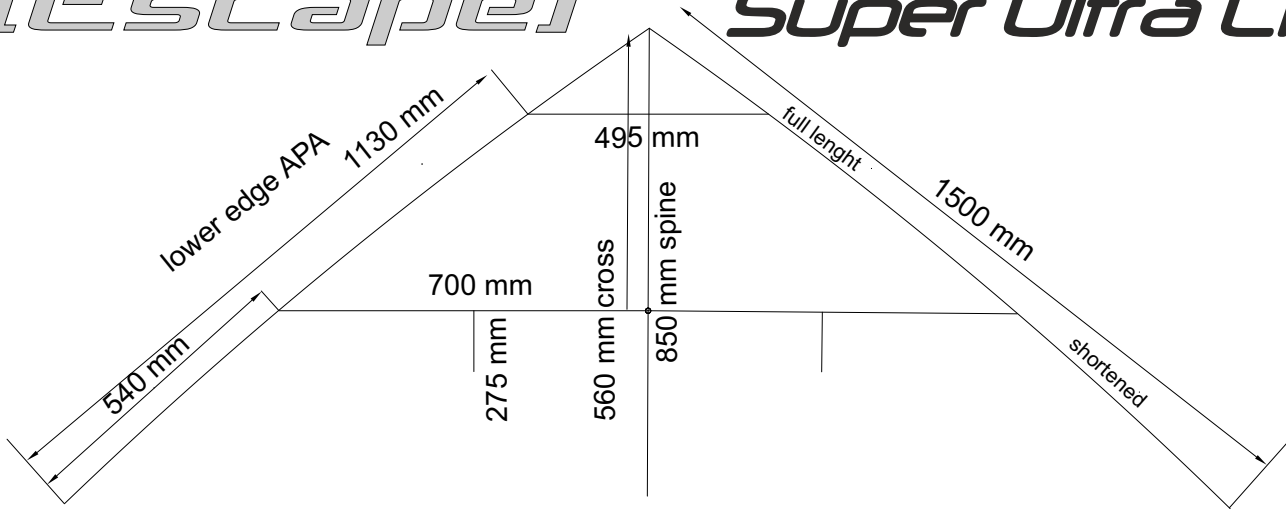


Coyote (Enrico) UL TEST Canditate #1



Copyright by Birger Garbe

Passing on and duplication only with written permission

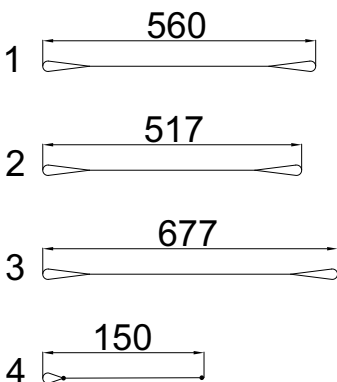


Framing

- leading edge: Aurel Agil 700 or SkyShark P90 upper part full, lower part shortened
- spine: Aurel Agil 700 or SkyShark P90 full + remnant (to reach 850mm)
- weight: brass 6mm diameter, 50 mm to reach 12g
- lower spreader: SkyShark NitroLite 700 mm (Cut on thick end) when use Tiny APA W
- upper spreader: Exel 4mm, 490 mm when use Tiny APA W
- standoff: Glasfiber 3mm 275mm (sail to rod) (270mm to end of standoff when use APA 250)

Bridle (e.g. Edelrid Phoenix 90DaN 1.1mm or comparable)

Original (Birger)



Coyote (Enrico) SUL TEST Canditate #1

